



Powering Business Worldwide

Illustrated Parts List

Y08161
May 2010

Contents

| | |
|---|----|
| How To Use The Illustrated Parts List | 3 |
| FRONT BEARING COVER ASSY. | 4 |
| FRONT CASE ASSY..... | 5 |
| INPUT SHAFT ASSY..... | 7 |
| INTERMEDIATE CASE ASSY. | 8 |
| LAYSHAFT ASSY. | 10 |
| LRC ASSEMBLY | 11 |
| MAINSHAFT ASSY..... | 13 |
| PLANET GEAR SPINDLE ASSY | 15 |
| RANGE ASSY..... | 16 |
| RANGE CONTROL ASSY..... | 17 |
| REAR CASE ASSY. | 19 |
| REVERSE IDLER ASSY..... | 21 |
| SELECTOR ASSY. | 22 |

How To Use The Illustrated Parts List

The information contained in this document is subject to frequent updates. Therefore, for the latest information available, please visit the interactive Electronic Parts Catalog at <http://www.eaton.com/EatonCom/TruckEurope/TruckEurope/index.htm>

Model Designation or Nomenclature

- For information regarding Model Designation and Nomenclature, visit <http://www.eaton.com/EatonCom/TruckEurope/TruckEurope/index.htm>

Kits and Assemblies (K/A's)

- Kits and Assemblies contain groups of individual or assembled parts developed for optimal replacement or repair of a service problem.
- Kits and Assemblies are shown with applicable parts groupings in the parts listings.

Identifying Kits and Assemblies

A- Part numbers beginning with the letter 'A' are pre-assembled Production Assemblies

K- Part numbers beginning with the letter 'K' are kits that are not assembled

T - Part numbers beginning with the letter 'T' are kits that are not assembled

S- Part numbers beginning with the letter 'S' are pre-assembled Service Assemblies

- Note: Some Production Assemblies do not begin with a letter prefix (Midrange only).

Illustrations

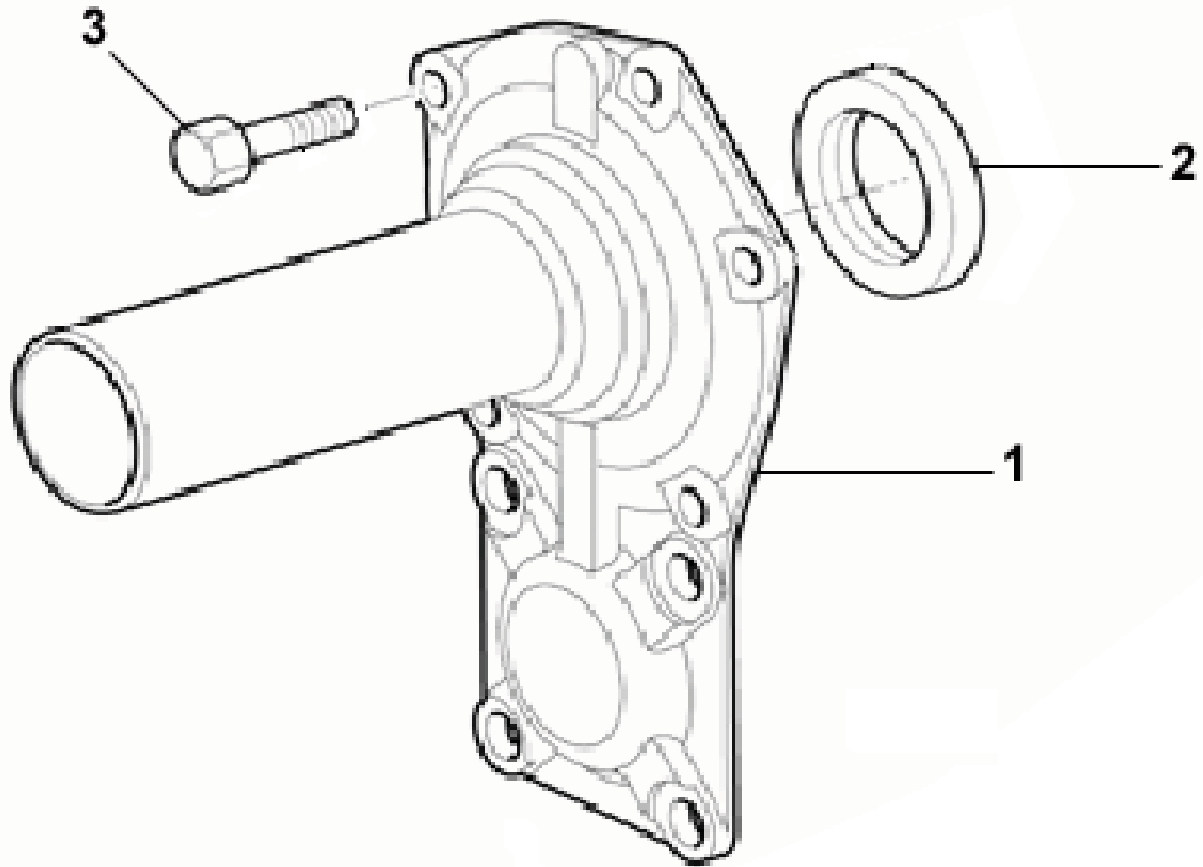
- Illustrations show parts in assembly groups.
- Item numbers on illustrations correspond with parts listings on pages adjacent to the illustration.
- Notes are included on illustrations where additional information is needed.

Parts Listing

Parts listings are defined by parts groupings and are broken down by service assemblies. Parts listings identify a part for servicing with the following categories

- **Item Number** - corresponding with numbers on illustrations for part identification.
- **Current Part** - identifies part as it is available for service.
- **Description** - specifies part name or description.
- **Replaced Part** - specifies part number of replaced part.
- **Quantity** - quantity required for assembly.
- **Notes** - defines unique characteristics or requirements.
- **Kits/Assy's Where Used** - indicates Kits or Assemblies that contain a particular part.

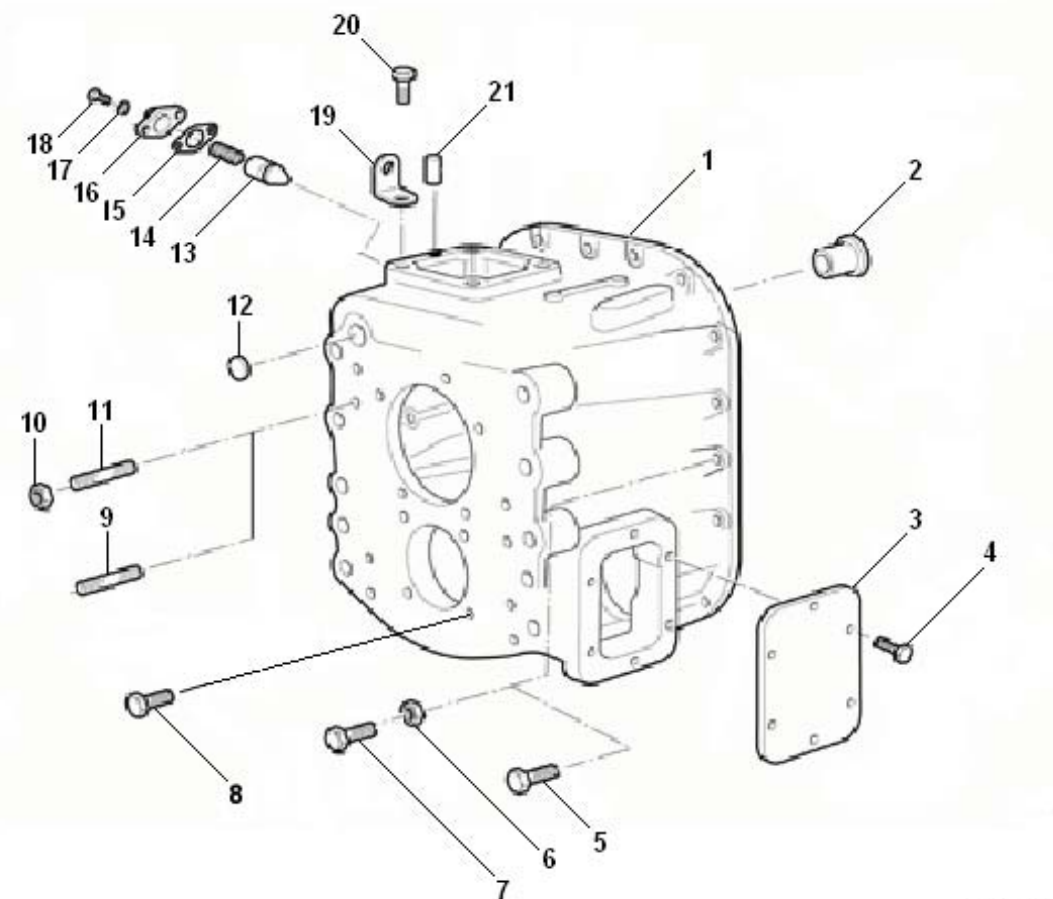
Group: FRONT BEARING COVER ASSY.



TZ0004

FRONT BEARING COVER ASSY.

| Item | Current Part | Description | Replaced Part | Qty. | Notes | Kits/Assys Where Needed |
|------|--------------|---------------------------|---------------|------|-------------------|-------------------------|
| 0 | U8875968 | FRONT BEARING COVER ASSY. | | 1 | | |
| 1 | 8875547 | FRONT BEARING COVER | | 1 | | |
| 2 | X8870760 | OIL SEAL | | 1 | | |
| 3 | GMX-8-1089 | SCREW | | 5 | M10X25 HEX FLG HD | |



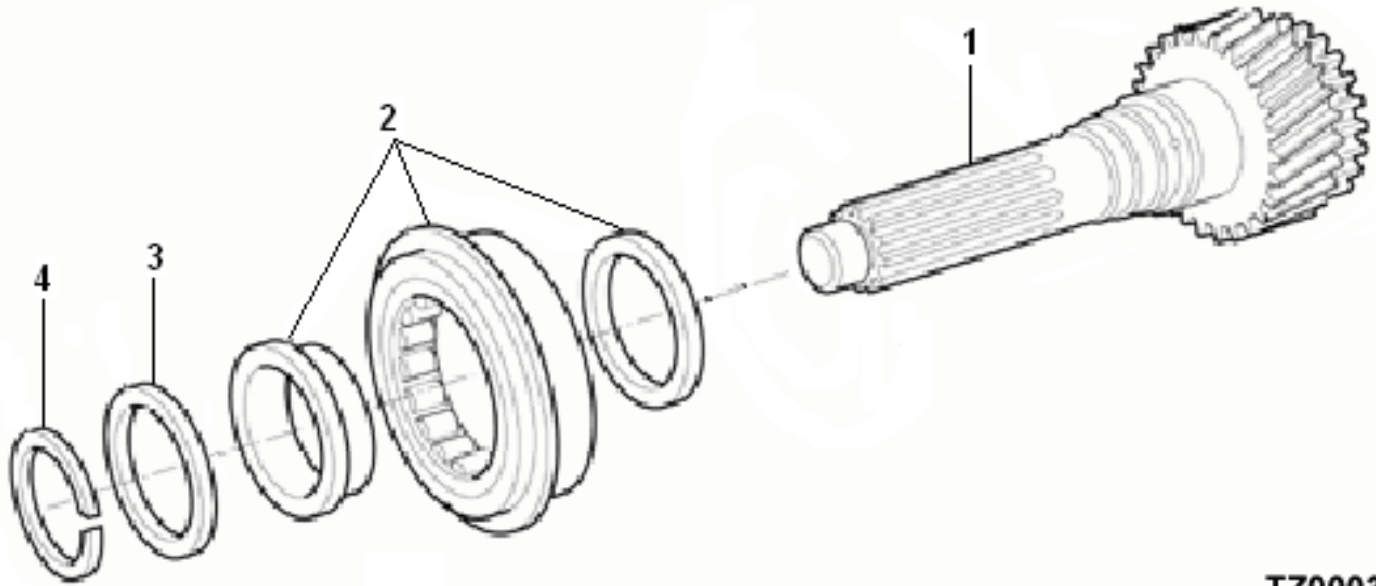
TZ0001

FRONT CASE ASSY

| Item | Current Part | Description | Replaced Part | Qty. | Notes | Kits/Assys Where Needed |
|------|--------------|---------------------|---------------|------|-------------------------|-------------------------|
| 0 | U8882043 | FRONT CASE ASSY. | | 1 | | |
| 1 | 8881835 | FRONT CASING | | 1 | | |
| 2 | 8882415 | BUSH | | 1 | FOR MAIN SELECTOR SHAFT | |
| 3 | 8881616 | PTO PROVISION COVER | | 1 | | |
| 4 | GMX-8-1088 | SCREW | | 6 | M12X25 HEX FLG HD | |
| 5 | GMX-8-1079 | BOLT | | 4 | M10X40 | |
| 6 | GMX-9-1005 | NUT | | 14 | M10X1.5 | |
| 7 | GMX-8-10110 | BOLT | | 1 | M10 X 58 HEX FLG HD | |
| 7 | GMX-8-1080 | BOLT | | 13 | M10X58 | |
| 8 | GMX-8-1240 | SCREW | | 4 | M12X25 HEX FLG HD | |
| 9 | GX8874699 | STUD | | 2 | M12X65 LONG | |
| 10 | GMX-9-1204 | NUT | | 12 | M12 | |
| 11 | GX8873931 | STUD | | 10 | M12X45 LONG | |
| 12 | GX8870278 | CUP PLUG | | 1 | | |
| 13 | 8873654 | PLUNGER-NEUTRAL | | 1 | | |
| 14 | 8874017 | SPRING COMPRESSION | | 1 | | |
| 15 | 8870590 | GASKET | | 1 | | |
| 16 | GX8870259 | DETENT COVER | | 1 | | |
| 17 | GMX-3-0801 | WASHER SPRING | | 2 | M8 | |
| 18 | GMX-8- | SCREW | | 2 | M8X14 | |

| Item | Current Part | Description | Replaced Part | Qty. | Notes | Kits/Assys Where Needed |
|------|--------------|-------------|---------------|------|-------------------|-------------------------|
| | 0801 | | | | | |
| 19 | GX20815 | LIFTING EYE | | 1 | | |
| 20 | GMX-8-1091 | SCREW | | 4 | M10X30 HEX FLG HD | |
| 21 | X8870542 | DOWEL | | 2 | 8,0 DIA X 16 | |

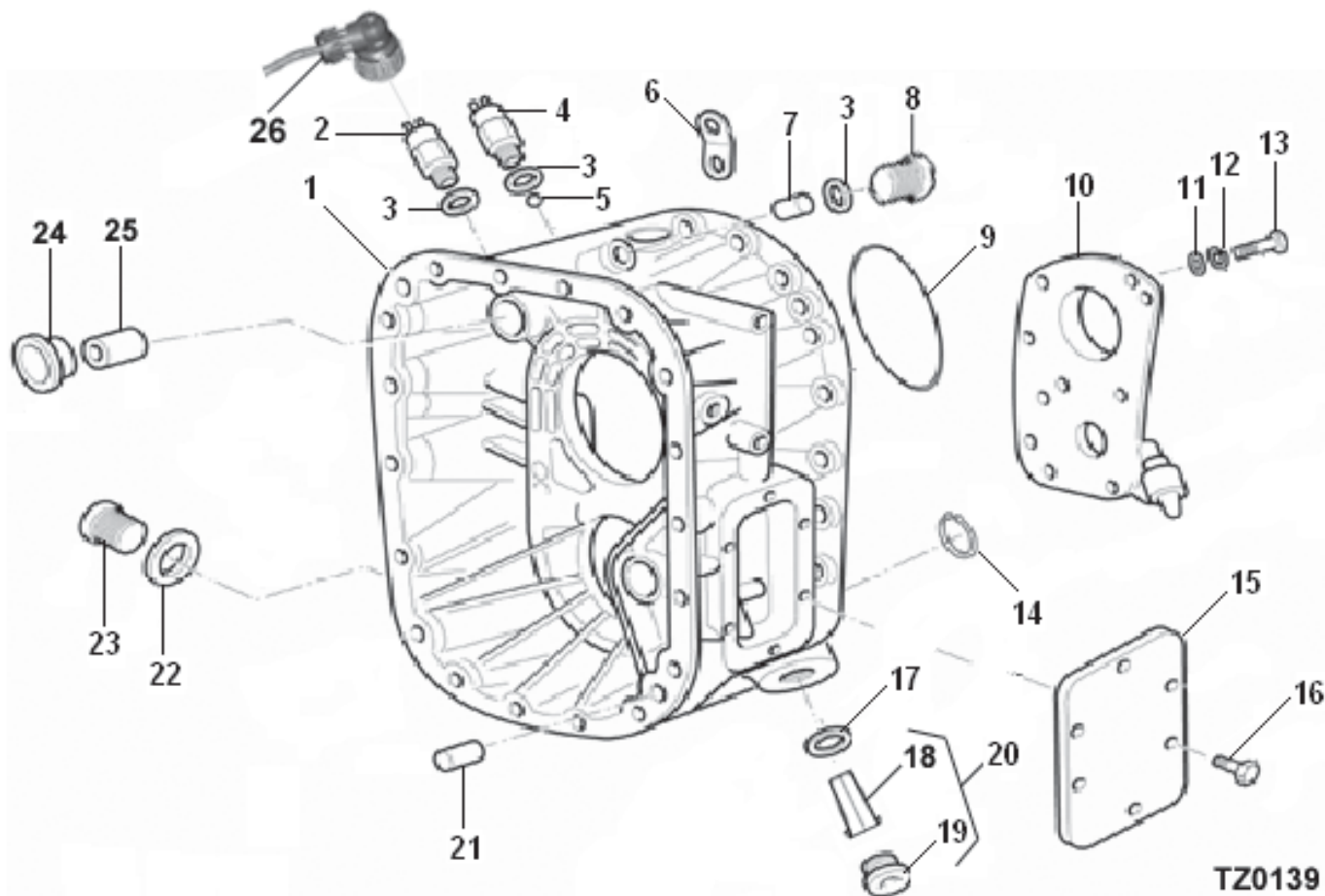
Group: INPUT SHAFT ASSY.



TZ0003

INPUT SHAFT ASSY.

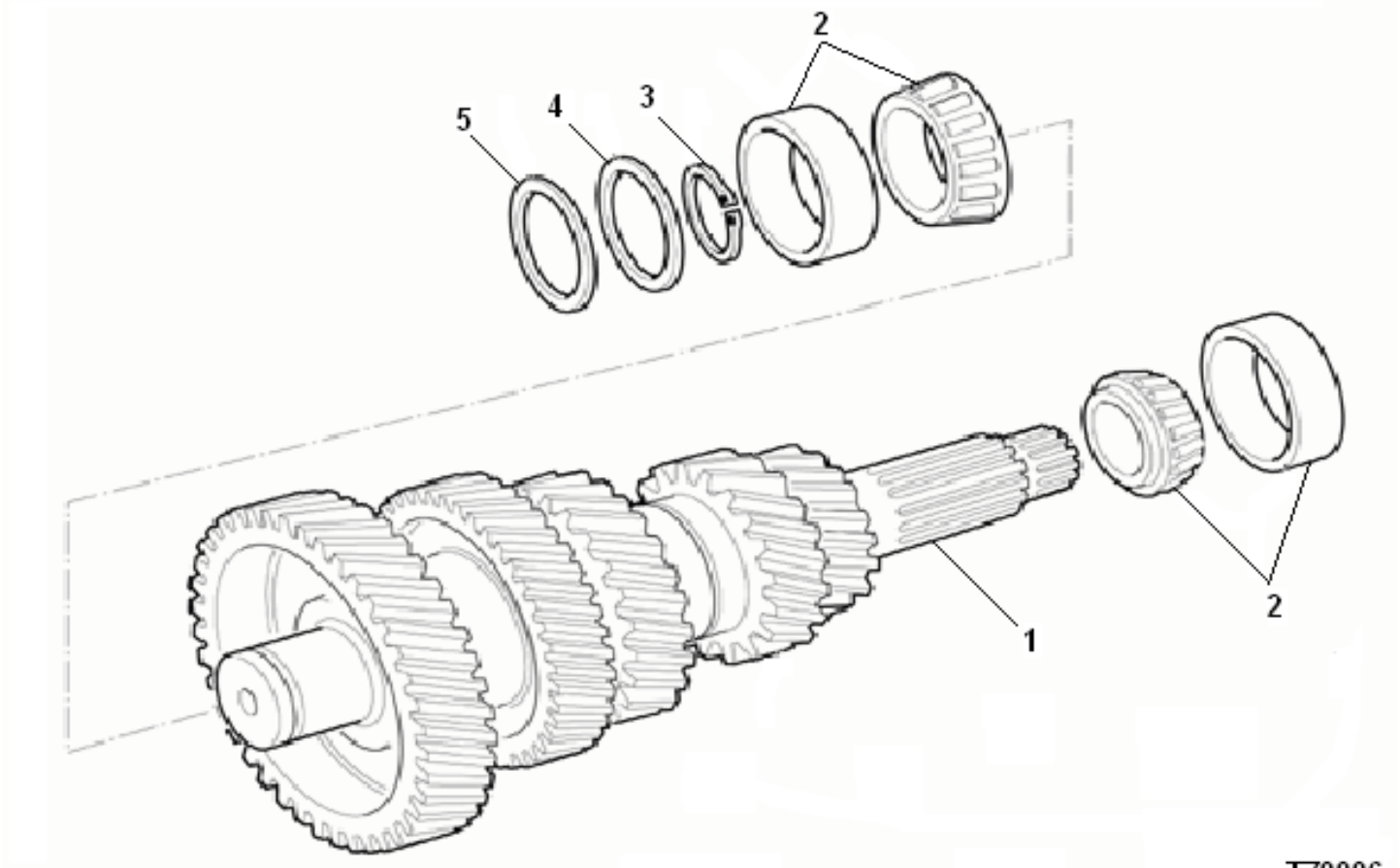
| Item | Current Part | Description | Replaced Part | Qty. | Notes | Kits/Assys Where Needed |
|------|--------------|----------------------|---------------|------|----------------|-------------------------|
| 0 | U8876454 | INPUT SHAFT ASSEMBLY | | 1 | | |
| 1 | 8877702 | INPUT SHAFT | | 1 | | |
| 2 | X8872593 | INPUT SHAFT BEARING | | 1 | | |
| 3 | 8877692 | SPACER - GRADED 3.10 | | 1 | PACK: U8877691 | |
| 3 | 8877693 | SPACER - GRADED 3.15 | | 1 | PACK: U8877691 | |
| 3 | 8877694 | SPACER - GRADED 3.20 | | 1 | PACK: U8877691 | |
| 3 | 8877695 | SPACER - GRADED 3.25 | | 1 | PACK: U8877691 | |
| 3 | 8877696 | SPACER - GRADED 3.30 | | 1 | PACK: U8877691 | |
| 3 | 8877697 | SPACER - GRADED 3.35 | | 1 | PACK: U8877691 | |
| 3 | 8877698 | SPACER - GRADED 3.40 | | 1 | PACK: U8877691 | |
| 3 | 8877699 | SPACER - GRADED 3.45 | | 1 | PACK: U8877691 | |
| 3 | 8877700 | SPACER - GRADED 3.50 | | 1 | PACK: U8877691 | |
| 3 | U8877691 | SPACER - GRADED PACK | | 1 | | |
| 4 | X8877706 | CIRCLIP | | 1 | | |



INTERMEDIATE CASE ASSY.

| Item | Current Part | Description | Replaced Part | Qty. | Notes | Kits/Assys Where Needed |
|------|--------------|------------------------|---------------|------|-------------------------|-------------------------|
| 0 | U8875628 | INTERMEDIATE CASE ASSY | | 1 | | |
| 1 | 8875304 | INTERMEDIATE CASE | | 1 | | |
| 2 | GX2771532 | SWITCH REVERSE | | 1 | | |
| 3 | 5568510 | O-RING | | 3 | | |
| 4 | 8880315 | NEUTRAL SWITCH | | 1 | | |
| 5 | X8870711 | DETENT BALL | | 1 | DIA.14 | |
| 6 | GX8874026 | LIFTING EYE | | 2 | | |
| 7 | 8875267 | PIN INTERLOCK | | 1 | | |
| 8 | GX8871502 | PLUG | | 1 | M16 | |
| 9 | X8881475 | O-RING | | 1 | (109,5X3,0) | |
| 10 | GU8875470 | OIL PUMP | | 1 | | |
| 11 | GX11245 | WASHER PLAIN | | 8 | M10 | |
| 12 | GMX-3-1001 | SPRING WASHER | | 8 | M10 | |
| 13 | GMX-8-1006 | SCREW | | 8 | | |
| 14 | X8881424 | CIRCLIP | | 1 | | |
| 15 | 8881616 | PTO PROVISION COVER | | 1 | | |
| 16 | GMX-8-1088 | SCREW | | 6 | M12X25 HEX FLG HD | |
| 17 | X8880469 | WASHER-OIL STRN/DRIN | | 1 | | |
| 18 | 8876351 | STRAINER-OIL | | 1 | | |
| 19 | GX8876352 | PLUG OIL STRAINER | | 1 | | |
| 20 | U8876353 | OIL STRAINER ASSY. | | 1 | | |
| 21 | X8870543 | DOWEL | | 2 | 16,0 DI X 30,5 | |
| 22 | X8880519 | WASHER-FILL/DRAIN FL | | 1 | | |
| 23 | GX8874942 | OIL FILLER PLUG | | 1 | | |
| 24 | 8882415 | BUSH | | 1 | FOR MAIN SELECTOR SHAFT | |
| 25 | X8871377 | BUSH | | 1 | | |

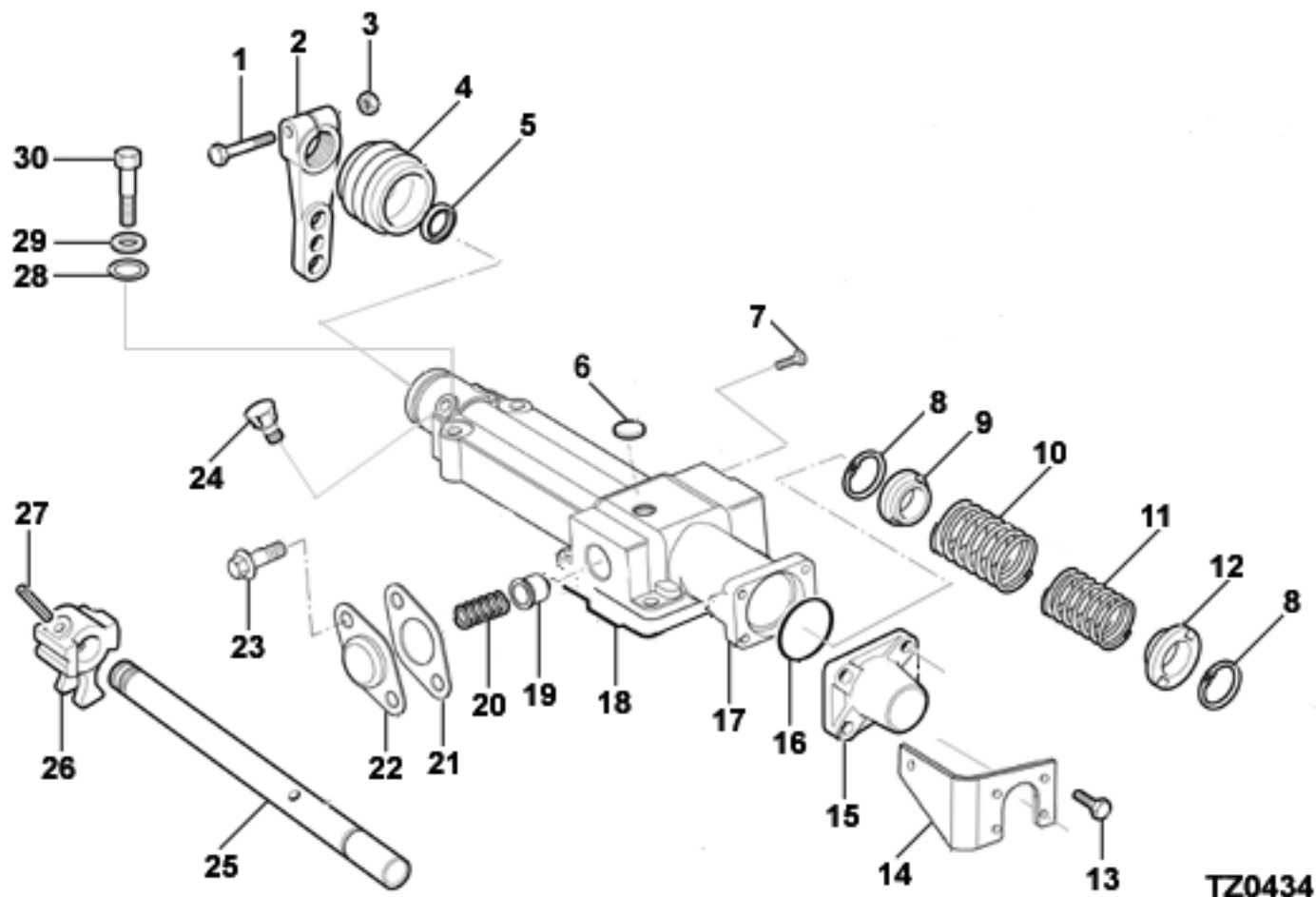
| Item | Current Part | Description | Replaced Part | Qty. | Notes | Kits/Assys Where Needed |
|------|--------------|--------------------|---------------|------|-------|-------------------------|
| 26 | U2009052 | PLUG - FLYING LEAD | | 2 | | |



TZ0006

LAYSHAFT ASSY.

| Item | Current Part | Description | Replaced Part | Qty. | Notes | Kits/Assys Where Needed |
|------|--------------|-----------------------------|---------------|------|----------------|-------------------------|
| 0 | U8880745 | LAYSHAFT ASSY. | | 1 | | |
| 2 | X8875587 | BRG. ASSY | | 2 | | |
| 3 | U8877534 | CIRCLIP GRADED PACK | | 1 | | |
| 3 | X8870370 | GR.C/CLIP 40 DIA. X 2.12 MM | | 1 | | |
| 3 | X8870371 | GR.C/CLIP 40 DIA. X 2.07 MM | | 1 | | |
| 3 | X8870372 | GR.C/CLIP 40 DIA X 2.02 MM | | 1 | | |
| 3 | X8871536 | GR.C/CLIP 40 DIA. X 1.97 MM | | 1 | | |
| 3 | X8871537 | GR.C/CLIP 40 DIA. X 1.92 MM | | 1 | | |
| 3 | X8871538 | GR.C/CLIP 40 DIA. X 1.87 MM | | 1 | | |
| 3 | X8871539 | GR.C/CLIP 40 DIA. X 1.82 MM | | 1 | | |
| 3 | X8871540 | GR.C/CLIP 40 DIA. X 1.77 MM | | 1 | | |
| 4 | F88891 | SHIM | | 1 | PACK: U8877535 | |
| 4 | F88892 | SHIM | | 1 | PACK: U8877535 | |
| 4 | F88893 | SHIM | | 1 | PACK: U8877535 | |
| 4 | F88894 | SHIM | | 1 | PACK: U8877535 | |
| 4 | U8877535 | SHIM PACK | | 1 | | |
| 4 | X8882272 | SHIM | | 1 | PACK: U8877535 | |
| 5 | 8875879 | SPACER | | 1 | | |

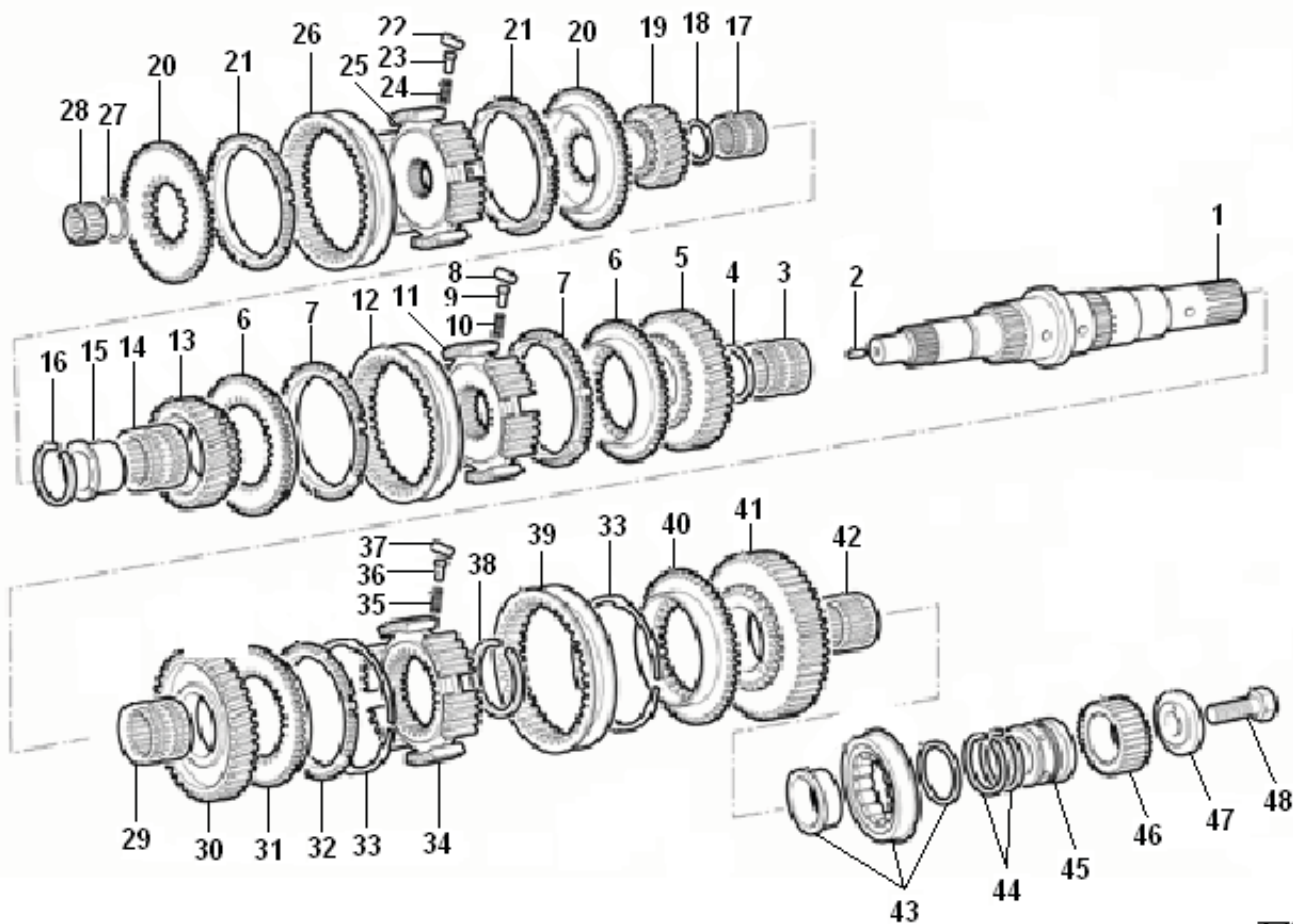


TZ0434

LRC ASSEMBLY

| Item | Current Part | Description | Replaced Part | Qty. | Notes | Kits/Assys Where Needed |
|------|--------------|-------------------------|---------------|------|---------|-------------------------|
| 0 | U8881024 | LRC ASSEMBLY | | 1 | | |
| 1 | GMX-8-1007 | BOLT | | 1 | M10X50 | |
| 2 | GX8876063 | OUTER LEVER | | 1 | | |
| 3 | GMX-9-1005 | NUT | | 1 | M10X1.5 | |
| 4 | X8875259 | BOOT | | 1 | | |
| 5 | X8881481 | OIL SEAL | | 1 | | |
| 6 | GX8871486 | EXPANSION PLUG | | 1 | | |
| 7 | 8871375 | SWITCH ACTIVATOR PIN | | 1 | | |
| 8 | X8874450 | CIRCLIP | | 2 | 25.DIA | |
| 9 | 8876566 | SPRING RETAINER-BOOSTER | | 1 | | |
| 10 | 8876345 | BOOSTER SPRING | | 1 | | |
| 11 | 8871395 | SPRING COMPRESSION | | 1 | | |
| 12 | 8876567 | SPRING RETAINER-BIAS | | 1 | | |
| 13 | GMX-8-0847 | SCREW | | 4 | | |
| 14 | GX8874361 | BRACKET REACTION ROD | | 1 | | |
| 15 | 8880477 | END CAP | | 1 | | |
| 16 | X8880639 | O-RING | | 1 | | |
| 17 | U8880697 | LRC SUB ASSY. | | 1 | | |
| 18 | 8880638 | SEAL-LRC TO CASE | | 1 | | |
| 19 | 8875415 | PLUNGER - DETENT | | 1 | | |
| 20 | 8870587 | DETENT SPRING | | 1 | | |
| 21 | 8870590 | GASKET | | 1 | | |
| 22 | GX8870259 | DETENT COVER | | 1 | | |
| 23 | GMX-8-0848 | SCREW | | 2 | | |

| Item | Current Part | Description | Replaced Part | Qty. | Notes | Kits/Assys Where Needed |
|------|--------------|-----------------------|---------------|------|---------------|-------------------------|
| 24 | X2014210 | BREATHER | | 1 | | |
| 25 | GX8874797 | SHIFT ROD LH SELECTOR | | 1 | | |
| 26 | 8877656 | LEVER INNER STRIKING | | 1 | | |
| 27 | X8871378 | DOWEL | | 1 | 10,0 DIA X 44 | |
| 28 | GX11245 | WASHER PLAIN | | 2 | M10 | |
| 29 | GMX-3-1001 | SPRING WASHER | | 2 | M10 | |
| 30 | GMX-8-1005 | BOLT | | 2 | M10X55 | |

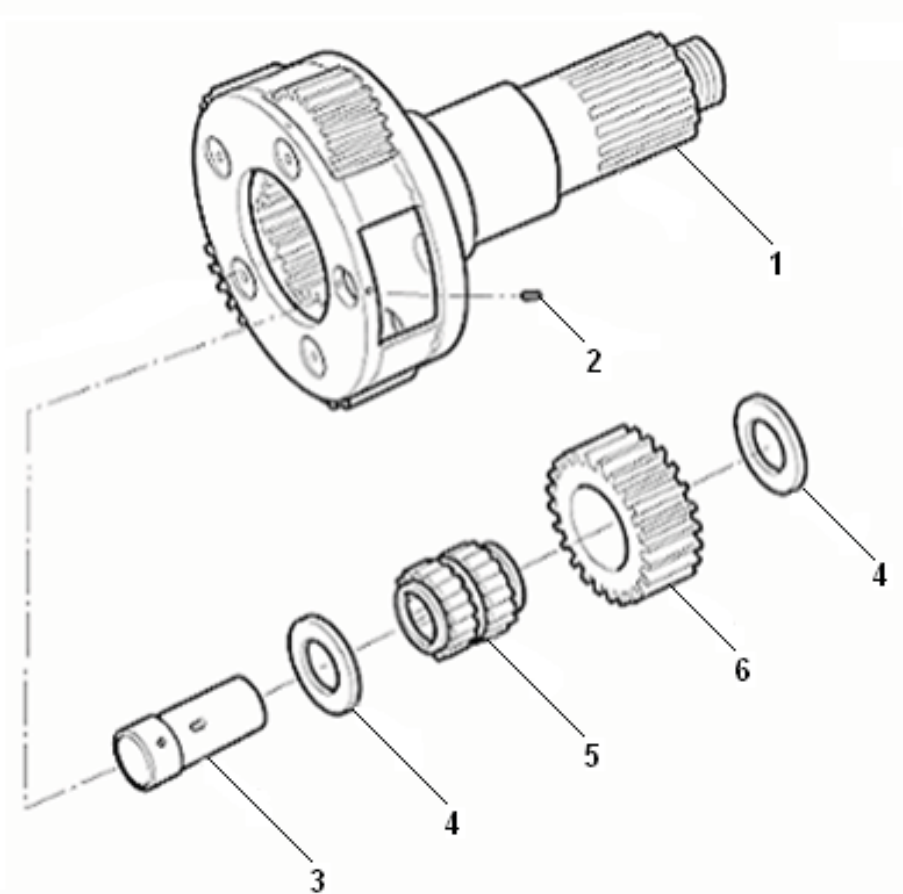


TZ0005

MAINSHAFT ASSY.

| Item | Current Part | Description | Replaced Part | Qty. | Notes | Kits/Assys Where Needed |
|------|--------------|------------------------------|---------------|------|----------------|-------------------------|
| 0 | U8882920 | MAINSHAFT ASSY. | | 1 | | |
| 1 | U8877186 | MAINSHAFT SUB ASSY. | | 1 | | |
| 2 | X14851 | DOWEL | | 1 | 5/16 DI X 1.50 | |
| 3 | X8870177 | NEEDLE ROLLER BRG. ASSY | | 1 | | |
| 4 | 8872589 | GEAR SPACER 1ST | | 1 | | |
| 5 | 8876948 | GEAR MAINSHAFT 1ST | | 1 | | |
| 6 | 8877321 | SYNCHRO FLANGE 1/2/3/4 | | 2 | | |
| 7 | 8882682 | RING SYNCHRO 1ST/2ND | | 2 | | |
| 8 | X8870356 | ROLLER | | 3 | | |
| 9 | 8870352 | PLUNGER | | 3 | | |
| 10 | 8870444 | SPRING COMPRESSION | | 3 | | |
| 11 | 8875571 | HUB-FIXED, 1ST/2ND | | 1 | | |
| 12 | 8880460 | SLIDING SLEEVE | | 1 | | |
| 13 | 8876949 | GEAR MAINSHAFT 2ND | | 1 | | |
| 14 | X8870177 | NEEDLE ROLLER BRG. ASSY | | 1 | | |
| 15 | 8882868 | SLEEVE MAINSHAFT BEARING | | 1 | | |
| 16 | U8882558 | GRADED CIRCLIP PACK | | 1 | | |
| 16 | X8870534 | GR.CIRCLIP 46 DIA. X 2.10 MM | | 1 | PACK: U8882558 | |
| 16 | X8870535 | GR.CIRCLIP 46 DIA. X 2.05 MM | | 1 | PACK: U8882558 | |
| 16 | X8870536 | GR.CIRCLIP 46 DIA. X 2.00 MM | | 1 | PACK: U8882558 | |
| 17 | X8875276 | NEEDLE BEARING | | 1 | | |
| 18 | 8872588 | GEAR SPACER 4TH | | 1 | | |
| 19 | 8880740 | GEAR MAINSHAFT 3RD | | 1 | | |
| 20 | 8877321 | SYNCHRO FLANGE 1/2/3/4 | | 2 | | |

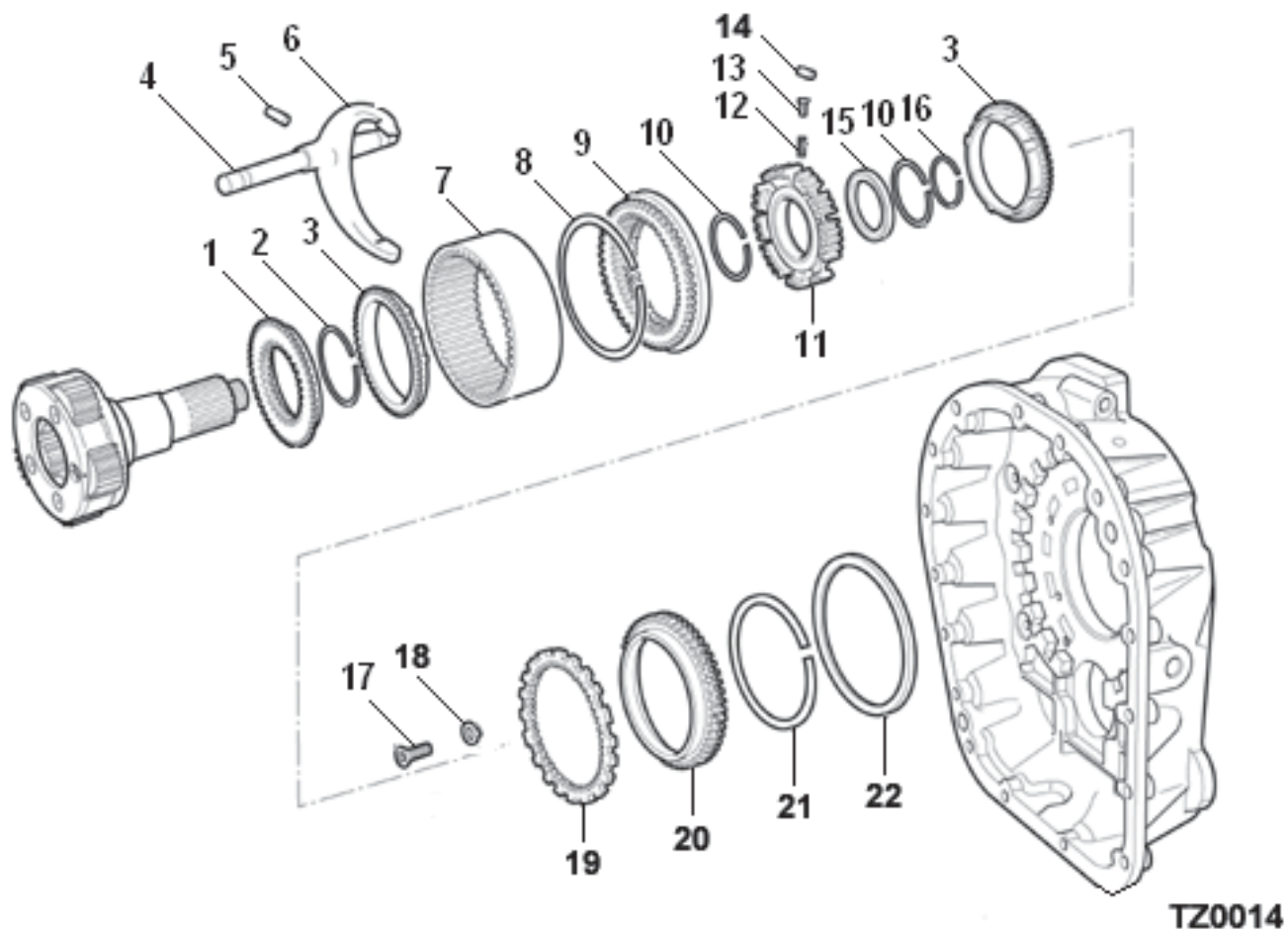
| Item | Current Part | Description | Replaced Part | Qty. | Notes | Kits/Assys Where Needed |
|------|--------------|--------------------------------|---------------|------|----------------|-------------------------|
| 21 | 8882682 | RING SYNCHRO 1ST/2ND | | 2 | | |
| 22 | X8870356 | ROLLER | | 3 | | |
| 23 | 8870352 | PLUNGER | | 3 | | |
| 24 | 8870444 | SPRING COMPRESSION | | 3 | | |
| 25 | 8875554 | FIXED HUB 3RD/4TH | | 1 | | |
| 26 | 8880460 | SLIDING SLEEVE | | 1 | | |
| 27 | U8877531 | GRADED CIRCLIP PACK | | 1 | | |
| 27 | X8870370 | GR.C/CLIP 40 DIA. X 2.12 MM | | 1 | | |
| 27 | X8870371 | GR.C/CLIP 40 DIA. X 2.07 MM | | 1 | | |
| 27 | X8870372 | GR.C/CLIP 40 DIA X 2.02 MM | | 1 | | |
| 28 | X8870305 | NEEDLE BRG.ROLLER ASSY | | 1 | | |
| 29 | X8870177 | NEEDLE ROLLER BRG. ASSY | | 1 | | |
| 30 | 8876477 | GEAR MAINSHAFT CRAWLER | | 1 | | |
| 31 | 8880059 | SYNCHRO FLANGE CRAWLER | | 1 | | |
| 33 | X8873994 | CIRCLIP SYNCHRO. ASSY. | | 1 | | |
| 34 | 8875604 | FIXED HUB REVERSE/CRAWLER | | 1 | | |
| 35 | 8870444 | SPRING COMPRESSION | | 3 | | |
| 36 | 8870352 | PLUNGER | | 3 | | |
| 37 | X8870356 | ROLLER | | 3 | | |
| 38 | U8877532 | GRADED CIRCLIP PACK | | 1 | | |
| 38 | X8870378 | CIRCLIP-GR.DIA.60 X 2.10 MM | | 1 | PACK: U8877532 | |
| 38 | X8870379 | CIRCLIP-GR.DIA.60 X 2.05 MM | | 1 | PACK: U8877532 | |
| 38 | X8870380 | CIRCLIP-GR.DIA.60 X 2.00 MM | | 1 | PACK: U8877532 | |
| 39 | 8880461 | SLIDING SLEEVE | | 1 | | |
| 40 | 8870415 | SYNCHRO.FLANGE REVERSE | | 1 | | |
| 41 | 8876478 | GEAR MAINSHAFT REVERS | | 1 | | |
| 42 | X8870178 | NEEDLE ROLLER BRG. ASSY | | 1 | | |
| 43 | X8877164 | BEARING REAR MAINSHAFT | | 1 | | |
| 44 | X8875532 | SEALING RING | | 2 | | |
| 45 | 8877115 | OIL MUFF | | 1 | | |
| 46 | 8877116 | SUN GEAR | | 1 | | |
| 47 | 8880594 | RETAINER | | 1 | | |
| 48 | GX8870699 | SCREW | | 1 | M16X45 HEX HD | |



TZ0008

PLANET GEAR SPINDLE ASSY

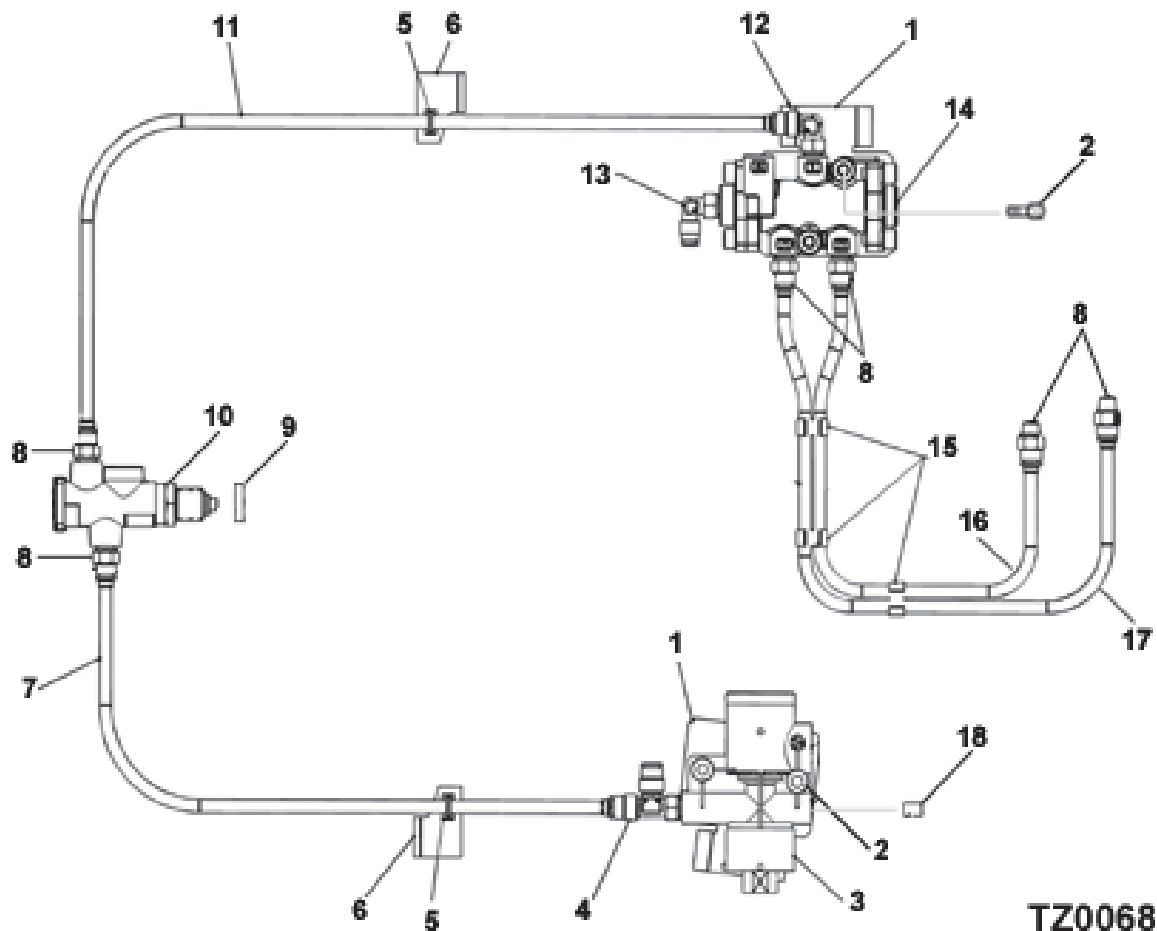
| Item | Current Part | Description | Replaced Part | Qty. | Notes | Kits/Assys Where Needed |
|------|--------------|-----------------------------|---------------|------|--------------------|-------------------------|
| 0 | U8877188 | PLANET GEAR SPINDLE ASSY | | 1 | | |
| 1 | U8882529 | OUTPUT SHAFT ASSY. | | 1 | | |
| 2 | MX-11-0601 | SCREW | | 5 | M6 X 10 SKT HD SET | |
| 3 | 8876972 | SPINDLE PLANET GEAR | | 5 | | |
| 4 | 8876893 | WASHER | | 10 | | |
| 5 | U8876969 | NEEDLE ROLL BRG. ASSY. PCK. | | 5 | | |
| 6 | 8876970 | GEAR PLANET | | 5 | | |



RANGE ASSY.

| Item | Current Part | Description | Replaced Part | Qty. | Notes | Kits/Assys Where Needed |
|------|--------------|---------------------|---------------|------|--------------|-------------------------|
| 0 | U8880521 | RANGE CONTROL ASSY. | | 1 | | |
| 1 | 8877323 | SYNCHRO FLANGE | | 1 | | |
| 2 | X8870342 | CIRCLIP | | 1 | | |
| 3 | 8877442 | SYNCHRO RING | | 2 | | |
| 4 | 8872626 | HI-LO SHIFT ROD | | 1 | | |
| 5 | X8870726 | DOWEL | | 1 | 8,0 DIA X 40 | |
| 6 | 8872737 | HIGH/LOW SHIFT FORK | | 1 | | |
| 7 | 8872680 | ANNULUS | | 1 | | |
| 8 | X8875296 | CIRCLIP | | 1 | | |
| 9 | 8880522 | SLIDING SLEEVE | | 1 | | |
| 10 | X8870341 | CIRCLIP | | 1 | | |
| 11 | 8875881 | FIXED HUB | | 1 | | |
| 12 | 8870444 | SPRING COMPRESSION | | 9 | | |
| 13 | 8870352 | PLUNGER | | 9 | | |
| 14 | X8870355 | ROLLER | | 9 | | |
| 15 | X8870844 | BEARING | | 1 | | |
| 16 | X8870344 | CIRCLIP | | 1 | | |
| 17 | GMX-8-0806 | SCREW | | 3 | M8X20 | |
| 18 | 8870848 | RETAINER | | 3 | M8 CASK | |
| 19 | 8875646 | REACTION PLATE | | 1 | | |
| 20 | 8877322 | SYNCHRO FLANGE | | 1 | | |
| 21 | X8873993 | CIRCLIP | | 1 | | |
| 22 | 8870808 | SPACER | | 1 | | |

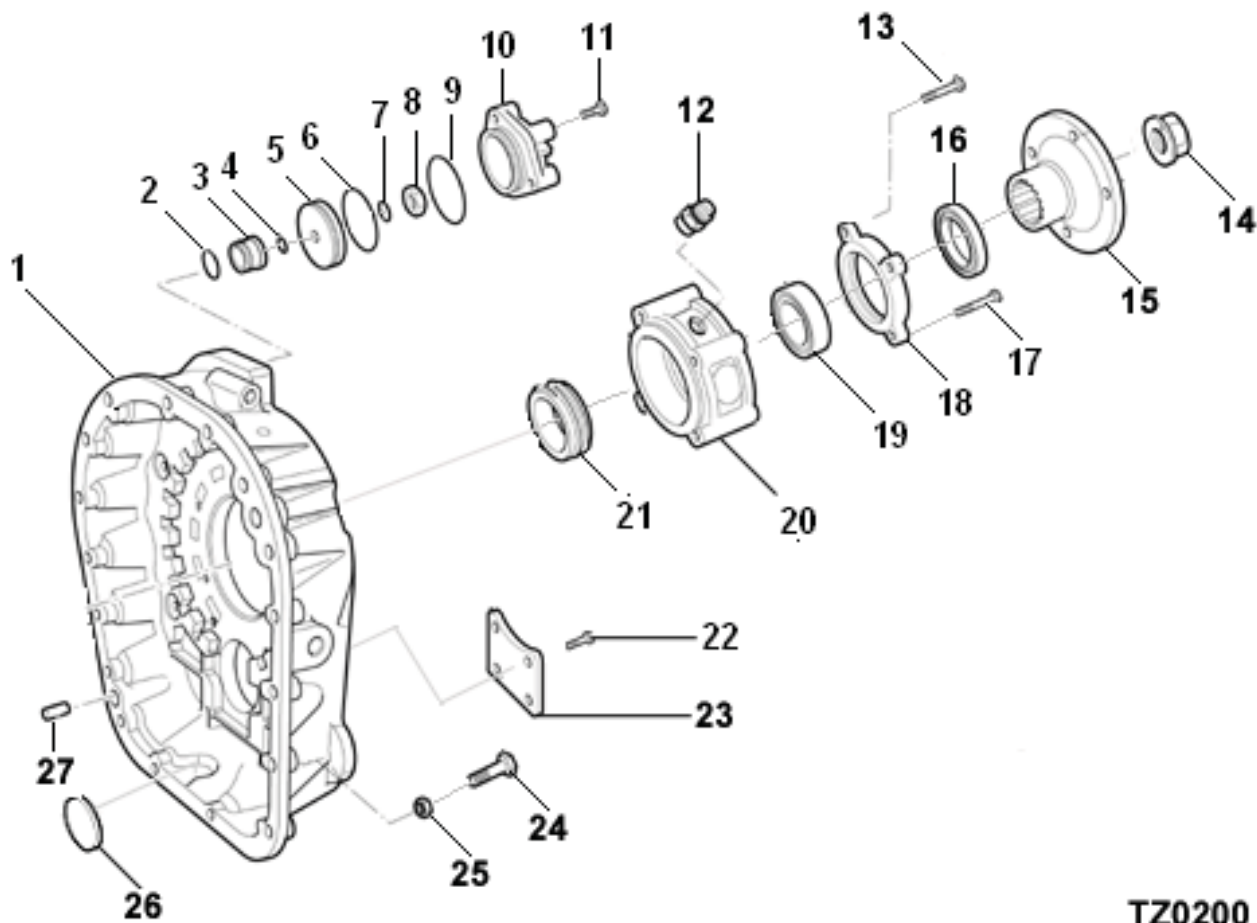
Group: RANGE CONTROL ASSY.



TZ0068

RANGE CONTROL ASSY.

| Item | Current Part | Description | Replaced Part | Qty. | Notes | Kits/Assys Where Needed |
|------|--------------|-------------------------------------|---------------|------|-----------------------------|-------------------------|
| 0 | U8880587 | RANGE CONTROL ASSY. | | 1 | | |
| 1 | 8880659 | MOUNTING BRACKET | | 2 | | |
| 2 | GX8880151 | SCREW SPIRAL | | 4 | | |
| 3 | X8880109 | FILTER REGULATOR ASSY | | 1 | | |
| 4 | U8881542 | SWIVEL TEE ADAPTOR(BSP TO 6MM TUBE) | | 1 | | |
| 5 | X8882634 | PIPE CLIP | | 2 | | |
| 6 | 8882665 | BRACKED AIR PIPES | | 2 | | |
| 7 | U8880728 | MOULDED PIPE ASSY. | | 1 | REGULATOR TO POPPET VALVE | |
| 8 | X8881538 | STRAIGHT ADAPTOR(BSP-TUBE 6MM) | | 6 | | |
| 9 | 5568510 | O-RING | | 1 | | |
| 10 | X8880054 | 3/2 POPPET VALVE | | 1 | | |
| 11 | X8881555 | MOULDED PIPE | | 1 | POPPET VALVE TO RANGE VALVE | |
| 12 | X8880846 | ELBOW ARTICULATED | | 1 | | |
| 13 | X8881546 | SWIVEL ELBOW ADAPTOR 90 DEG | | 1 | | |
| 14 | X8880843 | 4/2 AIR ACTUATING VALVE | | 1 | | |
| 15 | X8880545 | PIPE CLIP - TWIN PIPE | | 3 | | |
| 16 | X8881557 | MOULDED PIPE ASSY. | | 1 | RANGE VALVE TO REAR CASE | |
| 17 | X8881556 | MOULDED PIPE ASSY. | | 1 | RANGE VALVE TO CYLINDER | |
| 18 | GX2013517 | 1/8 PIPE PLUG SPECIAL | | 1 | | |

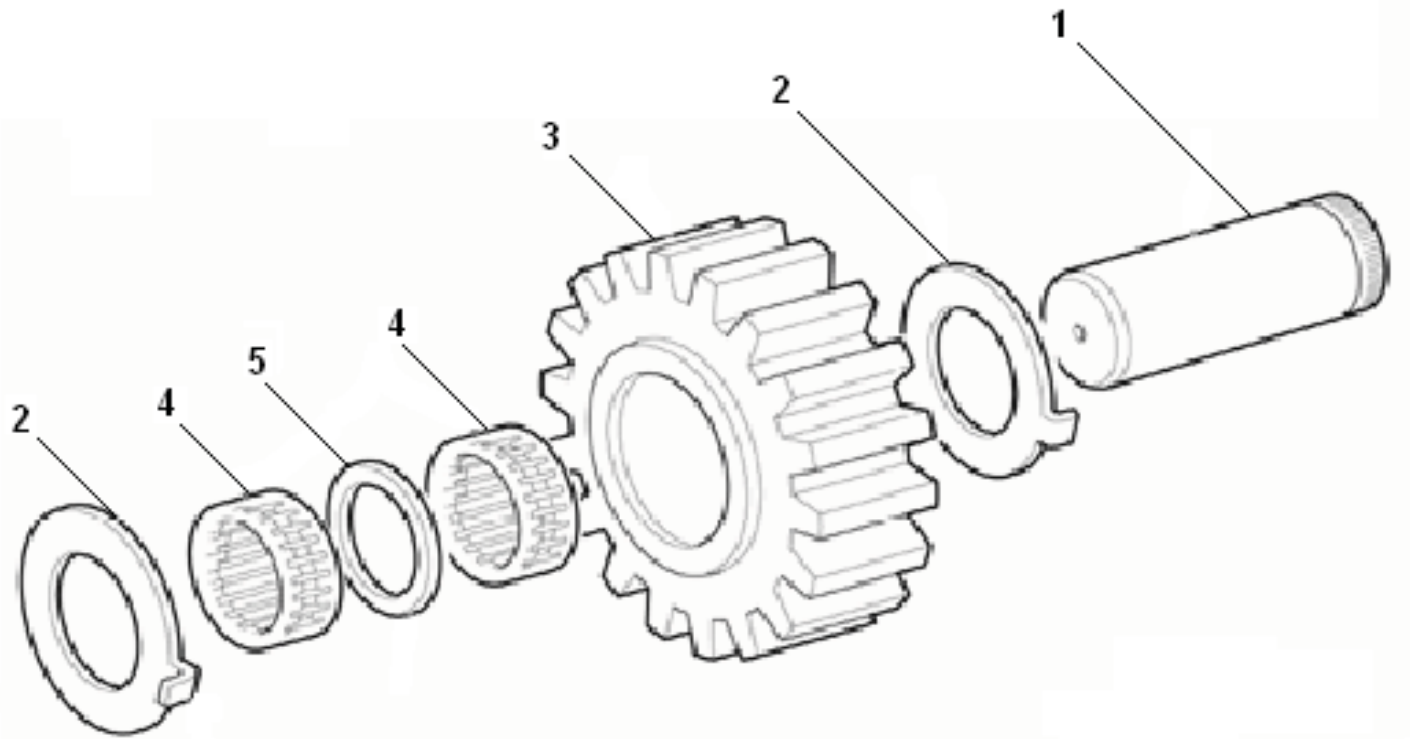


TZ0200

REAR CASE ASSY.

| Item | Current Part | Description | Replaced Part | Qty. | Notes | Kits/Assys Where Needed |
|------|--------------|-----------------------|---------------|------|-------------------|-------------------------|
| 0 | U8881775 | REAR CASE ASSY. | | 1 | | |
| 1 | 8874367 | REAR CASING | | 1 | | |
| 2 | X8875292 | O-RING | | 1 | | |
| 3 | 8875293 | BUSH | | 1 | | |
| 4 | X8871258 | O-RING | | 1 | DIA.24,5 | |
| 5 | 8875179 | PISTON RANGE CYLINDER | | 1 | | |
| 6 | 14344 | PISTON O RING AY BAR | | 1 | | |
| 7 | 14345 | PISTON O RING AY BAR | | 1 | | |
| 8 | GMX-9-1602 | NUT | | 1 | M16 | |
| 9 | X8873008 | O-RING | | 1 | | |
| 10 | 8875430 | CYLINDER-RANGE | | 1 | | |
| 11 | GMX-8-1094 | BOLT | | 3 | M10X55 HEX FLG HD | |
| 12 | GX8882393 | SPEEDO SENSOR | | 1 | 25 MM | |
| 13 | GMX-8-1095 | BOLT | | 3 | M10X95 HEX FLG HD | |
| 14 | GX8870553 | NYLOC NUT | | 1 | M39 | |
| 15 | 8877999 | COUPLING FLANGE | | 1 | | |
| 16 | X8872722 | OIL SEAL | | 1 | | |
| 17 | GMX-8-1095 | BOLT | | 1 | M10X95 HEX FLG HD | |
| 18 | 8871992 | REAR COVER | | 1 | | |
| 19 | X8872721 | BEARING | | 1 | | |
| 20 | 8874013 | SPEEDO HOUSING | | 1 | | |
| 21 | 8882428 | TACHOGRAPH ROTOR | | 1 | | |
| 22 | GMX-8-1240 | SCREW | | 4 | M12X25 HEX FLG HD | |

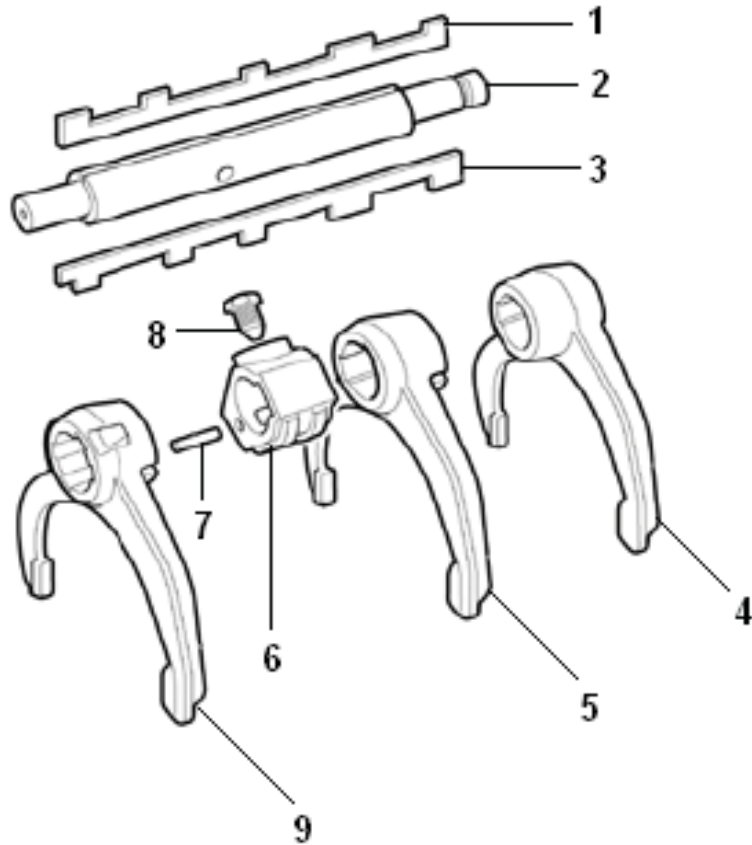
| Item | Current Part | Description | Replaced Part | Qty. | Notes | Kits/Assys Where Needed |
|------|--------------|---------------------|---------------|------|-------------------|-------------------------|
| 23 | GX8873917 | LAYSHAFT REAR COVER | | 1 | | |
| 24 | GMX-8-10111 | BOLT | | 3 | M10X65 HEX FLG HD | |
| 24 | GMX-8-1080 | BOLT | | 14 | M10X58 | |
| 25 | GMX-9-1005 | NUT | | 17 | M10X1.5 | |
| 26 | 14373 | DISC MAGNET | | 1 | | |
| 27 | X8870543 | DOWEL | | 2 | 16,0 DI X 30,5 | |



PU0007

REVERSE IDLER ASSY.

| Item | Current Part | Description | Replaced Part | Qty. | Notes | Kits/Assys Where Needed |
|------|--------------|---------------------|---------------|------|-------|-------------------------|
| 1 | 8883246 | REVERSE IDLER SHAFT | | 1 | | |
| 2 | 8870343 | THRUST WASHER | | 2 | | |
| 3 | 8876457 | REVERSE IDLER GEAR | | 1 | | |
| 4 | X8872478 | NEEDLE ROLLER BRG | | 2 | | |
| 5 | 8872479 | SPACER | | 1 | | |



PU0009

SELECTOR ASSY.

| Item | Current Part | Description | Replaced Part | Qty. | Notes | Kits/Assys Where Needed |
|------|--------------|----------------|---------------|------|---------------|-------------------------|
| 0 | U8875941 | SELECTOR ASSY. | | 1 | | |
| 1 | 8872328 | SELECTOR KEY | | 1 | | |
| 2 | 8875827 | SELECTOR SHAFT | | 1 | | |
| 3 | 8872327 | INTERLOCK KEY | | 1 | | |
| 4 | 8875499 | FORK | | 1 | | |
| 5 | 8880760 | FORK 1ST/2ND | | 1 | | |
| 6 | 8874754 | SELECTOR BLOCK | | 1 | | |
| 7 | X8870277 | DOWEL | | 1 | | |
| 8 | 8873691 | SCREW | | 1 | M10X23 HEX HD | |
| 9 | 8882631 | FORK 3RD/4TH | | 1 | | |

Copyright Eaton Corporation, 2009.
Eaton hereby grants their customers,
vendors, or distributors permission to
freely copy, reproduce and/or distribute
this document in printed format. It may
be copied only in its entirety without
any changes or modifications. THIS
INFORMATION IS NOT INTENDED FOR
SALE OR RESALE, AND THIS NOTICE
MUST REMAIN ON ALL COPIES.

