

ESBO 6206B

OTOKAR

3360299

2017/Aug

Picture 1A- Control			
Item	Nº Eator/ Current Part	Qtde/Qty	Description- COMPLETE LRCASSY 3364305 3364338
1	3364068 3364334	1	INNERSHIFTLEVER
2	3364067	1	INNERSELECTLEVER
3	3364065	1	PIVOTBEARING
4	3364085	4	HEX SOCKET HEAD CAP SCREW M6X1.00X20
5	3364273	1	CONTROL TOWER COVER
6	3364278	2	THRUST WASHER
7	3364066	1	OUTERSELECTLEVER
8	3364072	2	SHIFT PIN
9	3364304	1	EXTERNAL SHIFT LEVER
10	3364084	4	PAN HEAD TORX BOLT M8X25

ESBO 6206B

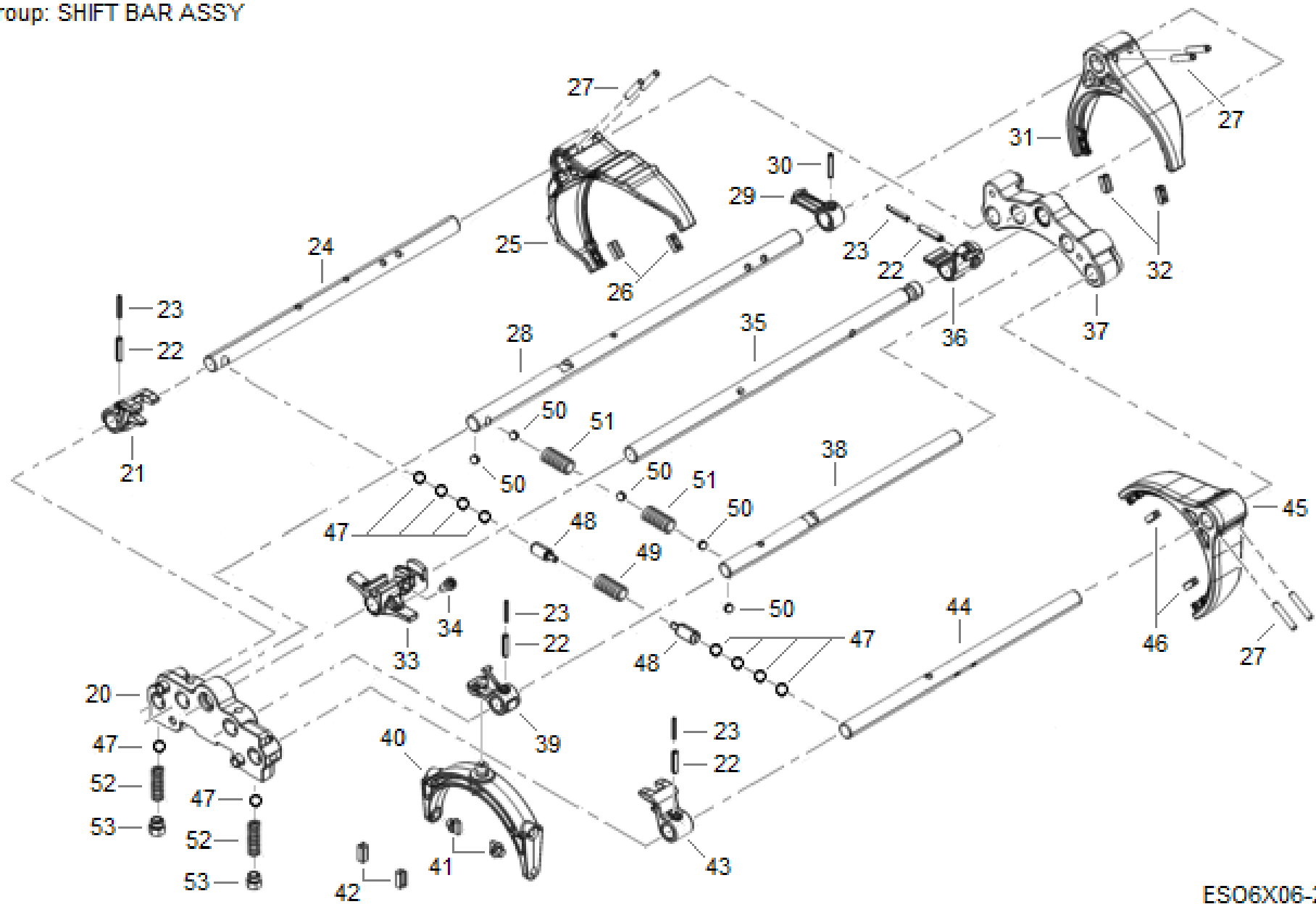
OTOKAR

3360299

2017/Aug

Picture 1A- Control			
Item	N° Eator/ Current Part	Qtde/Qty	Description- <b>COMPLETE LRCASSY 3364305</b>
1	3364068	1	INNERSHIFTLEVER
2	3364067	1	INNERSELECTLEVER
3	3364065	1	PIVOTBEARING
4	3364085	4	HEX SOCKET HEAD CAP SCREW M6X1.00X20
5	3364273	1	CONTROL TOWER COVER
6	3364278	2	THRUST WASHER
7	3364066	1	OUTERSELECTLEVER
8	3364072	2	SHIFT PIN
9	3364304	1	EXTERNAL SHIFT LEVER
10	3364084	4	PAN HEAD TORX BOLT M8X25

Group: SHIFT BAR ASSY

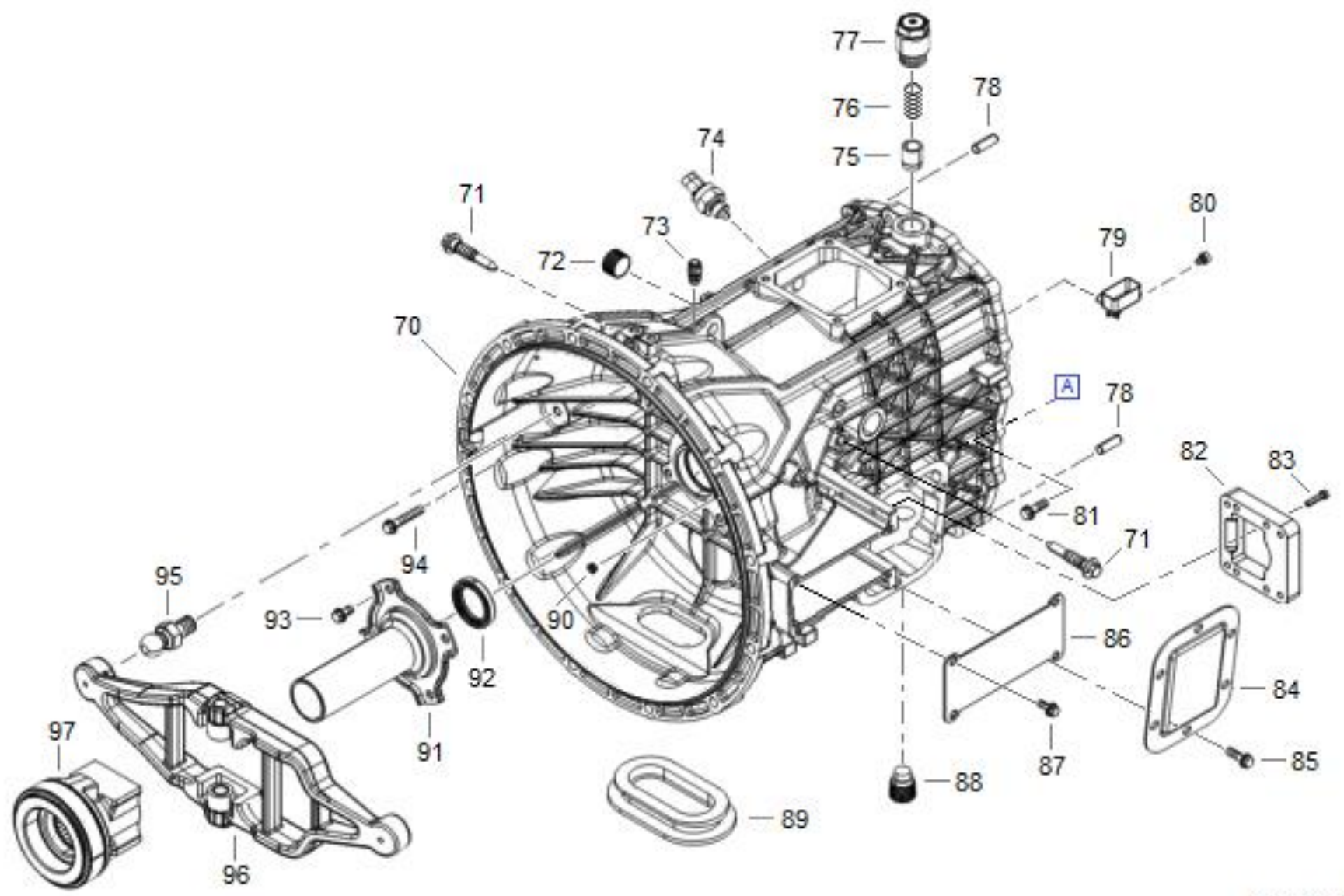


ES06X06-2A

**Picture 2A - Shift Bar Assy**

<b>Item</b>	<b>N° Eaton/ Curr</b>	<b>Qtde/C</b>	<b>Description</b>
20	3364175	1	FRONT RAIL SUPPORT
21	3364058	1	1ST/2ND AND 3RD/4TH SHIFT LUG
22	1JM6028	4	PIN
23	1JM3528	4	PIN
24	3364153	1	1ST/2ND SHIFT RAIL
25 ( ve	3364154	1	1ST/2ND SHIFT FORK - ASSY
26	3348042	2	BUSHING
27	1JM6036	6	PIN
28	3364165	1	REVERSE SHIFT RAIL
29	3364062	1	REVERSE SWITCH CAM
30	14J1818	1	PIN
31 ( ve	3364167	1	REVERSE SHIFT FORK - ASSY
32	3348042	2	BUSHING
33	3364060	1	SHIFT SELECTOR
34	3364075	1	BOLT TORX M8X1.00X18.5
35	3364169	1	MASTER RAIL
36	3364170	1	SHIFT AND SELECT CAM
37	3364173	1	REAR RAIL SUPPORT - ASSY
38	3364161	1	5TH/6TH SHIFT RAIL
39	3364059	1	5TH/6TH SHIFT FORK LUG
40	3364045	1	5TH AND 6TH REVERSE SHIFT FORK
41	3363404	2	PAD ARTICULATED SUPPORT
42	3363403	2	BUSHING
43	3364058	1	1ST/2ND AND 3RD/4TH SHIFT LUG
44	3364157	1	3RD/4TH SHIFT RAIL
45 ( ve	3364158	1	3RD/4TH FORK - ASSY
46	3348042	2	BUSHING
47	10J12	10	BALL 3/8
48	3364178	2	INTERLOCK PIN
49	3317214	1	SPRING
50	10J10	5	BALL 5/16
51	3364231	2	SPRING
52	3364232	2	SPRING
53	3364070	2	PLUG

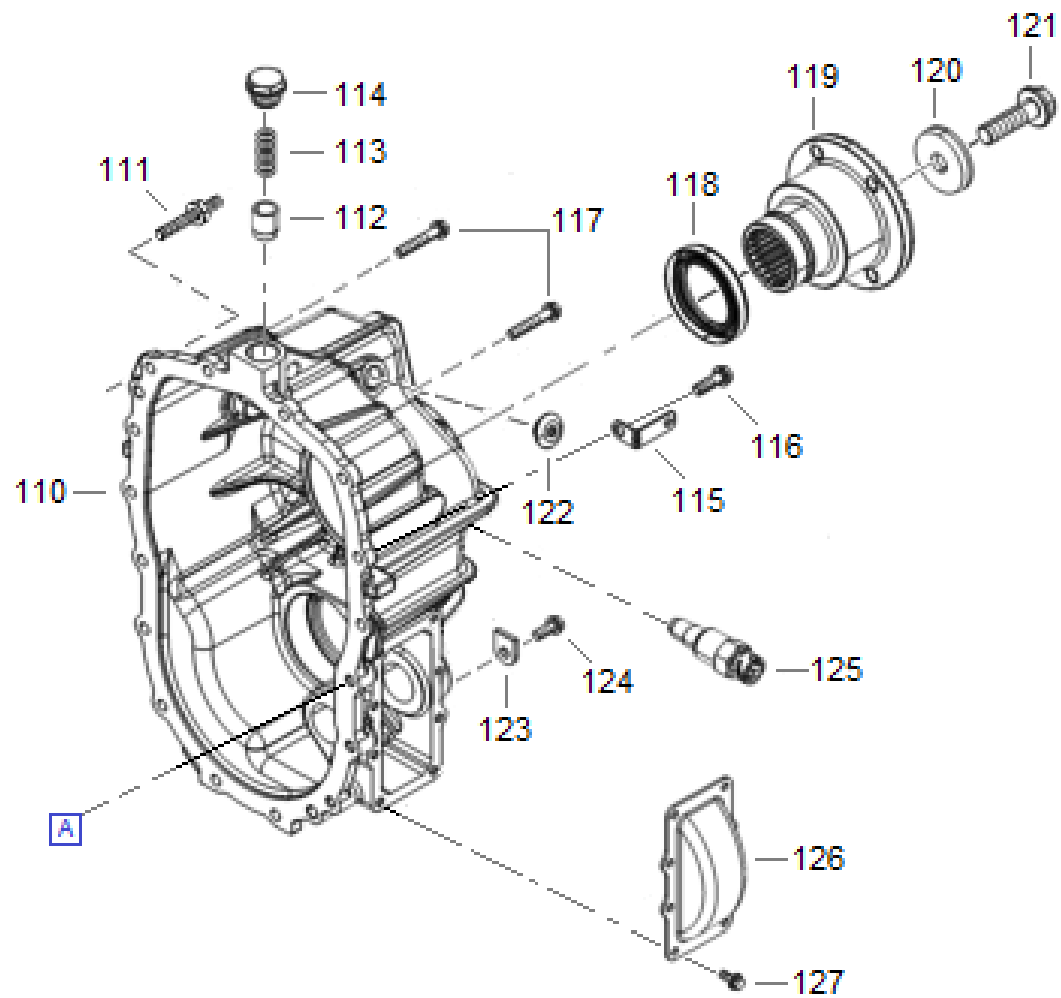
Group: INTEGRATED FRONT HOUSING ASSY



ES06X06-3C

Picture 3C - Integrated Front Housing Assy			
Item	N° Eaton/ Curr	Qtde/C	Description
70	3364223	1	INTEGRATED FRONT HOUSING
71	3364163	2	HINGE PIN
72	11F12P	1	PLUG
73	3315948	1	BREATHER
74	3004079	1	SWITCH, NEUTRAL
75	3348065	1	PLUNGER, ACTUATOR
76	3348133	1	SPRING
77	3364103	1	SELECTION ACTUATOR
78	3312741	2	DOWEL PIN
79	3364035	1	OIL PICK-UP
80	3364236	1	BOLT M6X1,0X6,5
81	3348155	3	BOLT DRI-LOC M8X1.25X25.0
82	3364033	1	ADAPTOR PLATE
83	3364073	4	HEX SOCKET HEAD CAP SCREW M6X1,0X25
84	3344067	1	PTO COVER PLATE
85	3348768	6	BOLT DRI-LOC M10X1.50X16.0
86	3364244	1	COVER
87	3363151	4	SCREW
88	3341356	1	MAGNETIC DRAIN PLUG
89	3364079	1	INSPECTION COVER
90	3344050	1	SEALING PLUG
91	3364229	1	GUIDE TUBE
92	3344862	1	OIL SEAL
93	3361119	4	BOLT M8X1.25
94	3361156	3	SCREW
95	3364243	1	PIVOT PIN
96	3364248	1	CLUTCH RELEASE FORK - ASSY
97	125877	1	CLUTCH RELEASE BEARING 362 PUSH

Group: REAR CASE ASSY

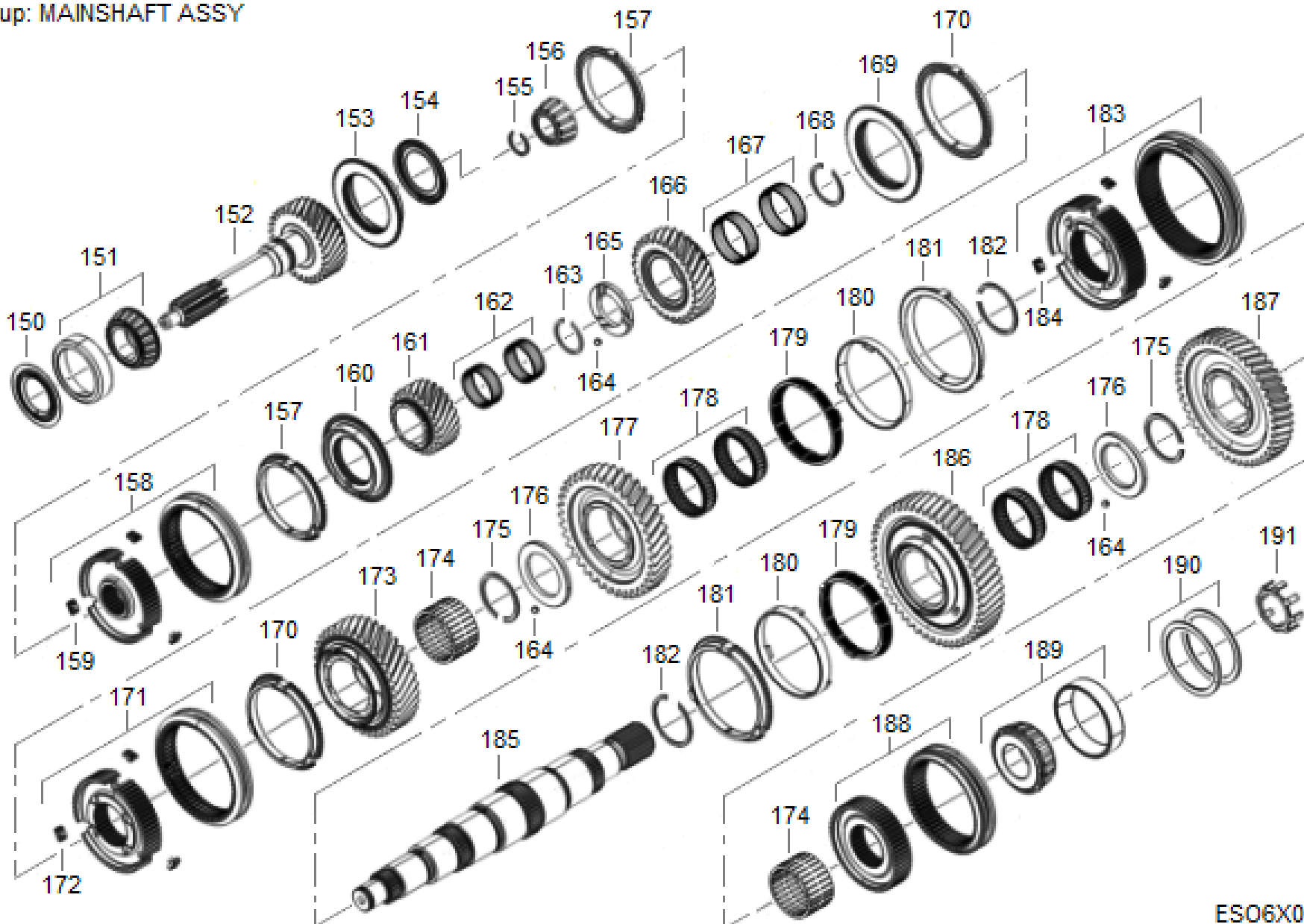


ES06X06-4C



Picture 4C - Rear Case Assy			
Item	N° Eaton/ Curr	Qtde/C	Description
110	3364088	1	REAR CASE
111	3364269	2	DOUBLE END
112	3348065	1	PLUNGER, ACTUATOR
113	3364228	1	SPRING
114	3364071	1	PLUG
115	3348711	1	BRACKET
116	3348155	11	BOLT DRIF-LOC M8X1.25X25.0
117	3361156	2	SCREW
118	3344861	1	OIL SEAL
119	3364253	1	OUTPUT CROSS SERRATED FLANGE DIN 120
120	3361009	1	WASHER
121	3361113	1	SCREW
122	3317967	1	PLUG
123	3364083	1	REVERSE IDLER GEAR RETAINER
124	3361110	1	SCREW
125	X8883717	1	PICKUP ELECTRONIC SPEEDO
126	3364038	1	REVERSE IDLER GEAR COVER
127	3363151	8	SCREW

Group: MAINSHAFT ASSY

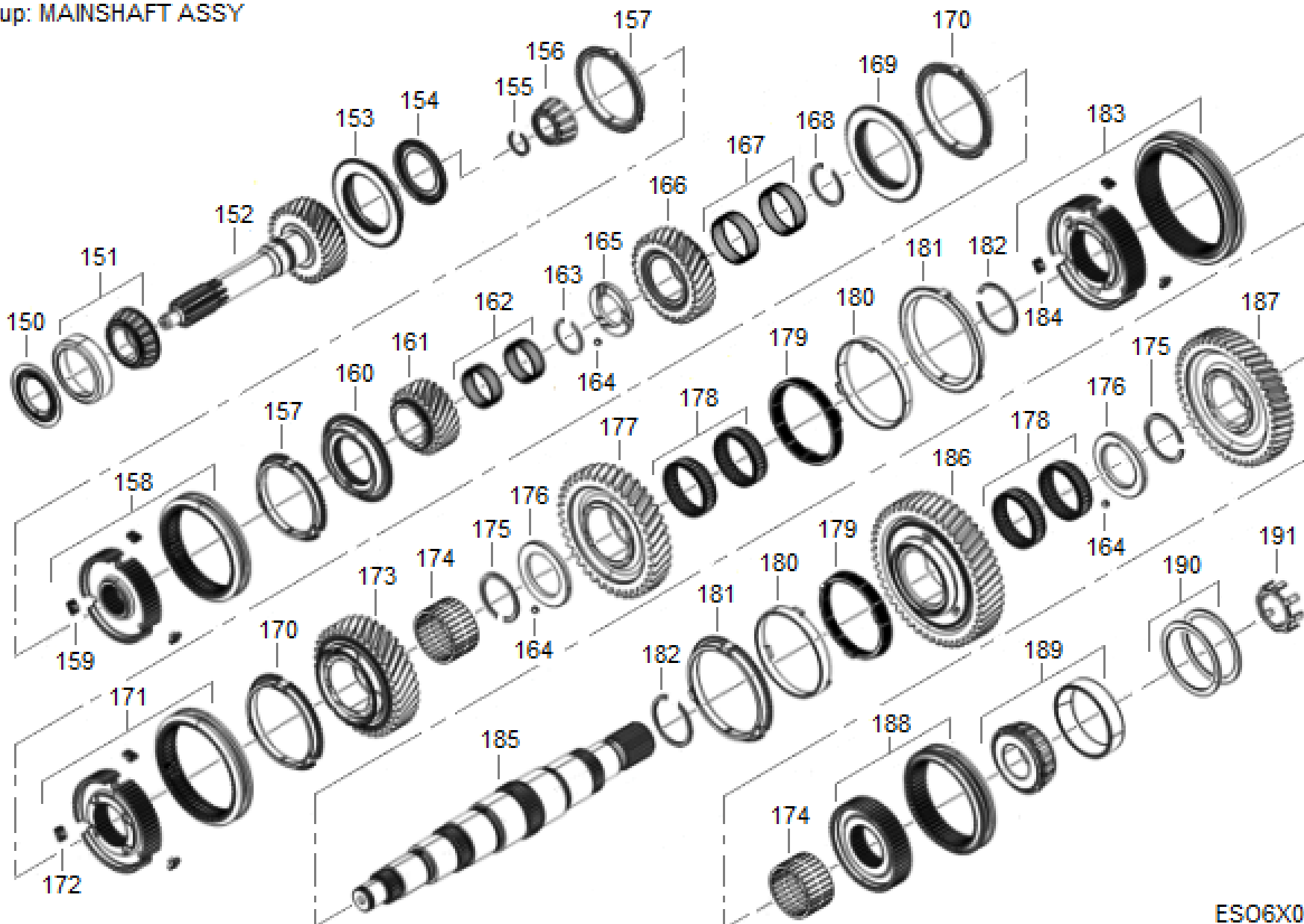


ES06X06-5A

**Picture 5A - Mainshaft Assy**

<b>Item</b>	<b>Nº Eaton/ Curr</b>	<b>Qtde/C</b>	<b>Description</b>
150	3364230	1	OIL BAFFLE
151	3361779	1	BEARING CUP & CONE
152	3364261	1	INPUT SHAFT
153	3364006	1	CLUTCH BODY
154	3364082	1	OIL BAFFLE
155	3364123	1	SNAP RING
156	3364134	1	BEARING CONE
157	3364055	2	SYNCHRONIZER RING
158 (v	3364122	1	5TH/6TH SYNCHRONIZER - ASSY
159	3363126	3	STRUT
160	3364025	1	CLUTCH BODY
161	3364239	1	6TH GEAR - MAINSHAFT
162	3364133	2	BEARING
163	3364117	1	SNAP RING
164	10J6	3	BALL 3/16
165	3364116	1	THRUST WASHER
166	3364003	1	4TH GEAR - MAINSHAFT
167	3364132	2	BEARING
168	3341205	1	SNAP RING
169	3364295	1	CLUTCH BODY
170	3364052	2	SYNCHRONIZER RING

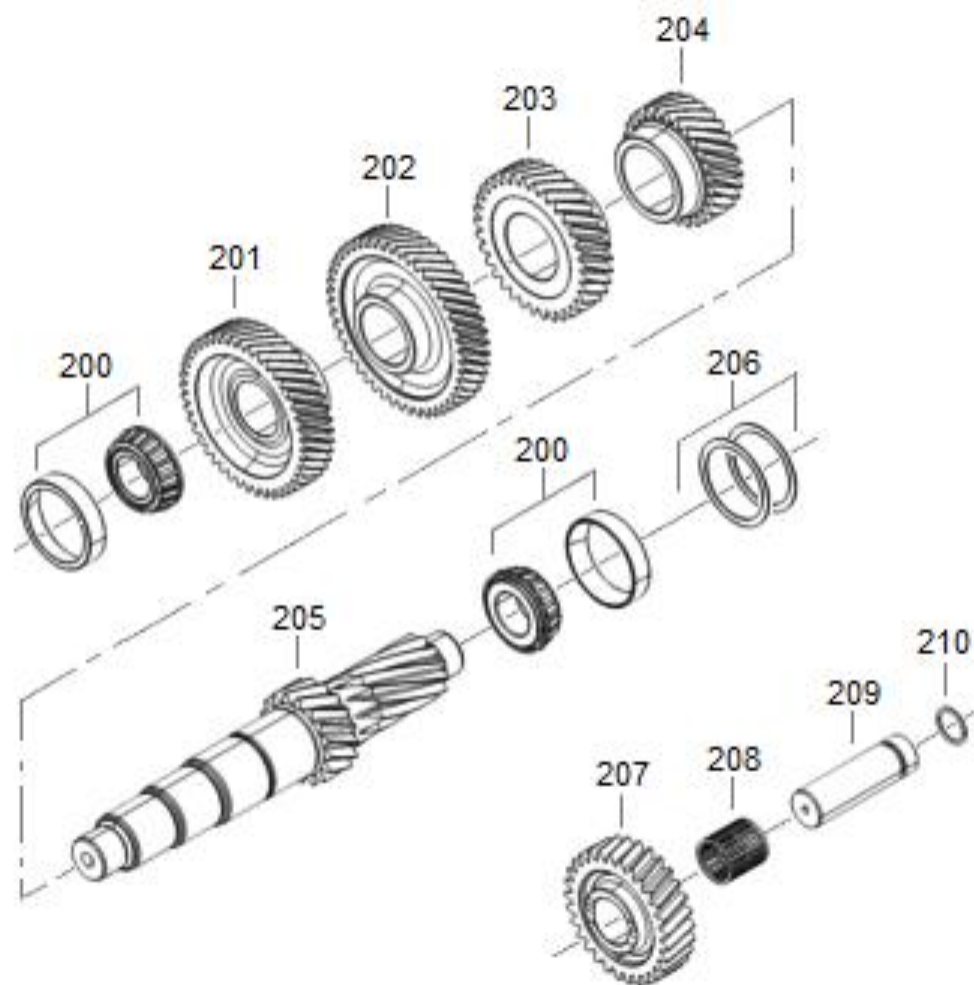
Group: MAINSHAFT ASSY



ES06X06-5A

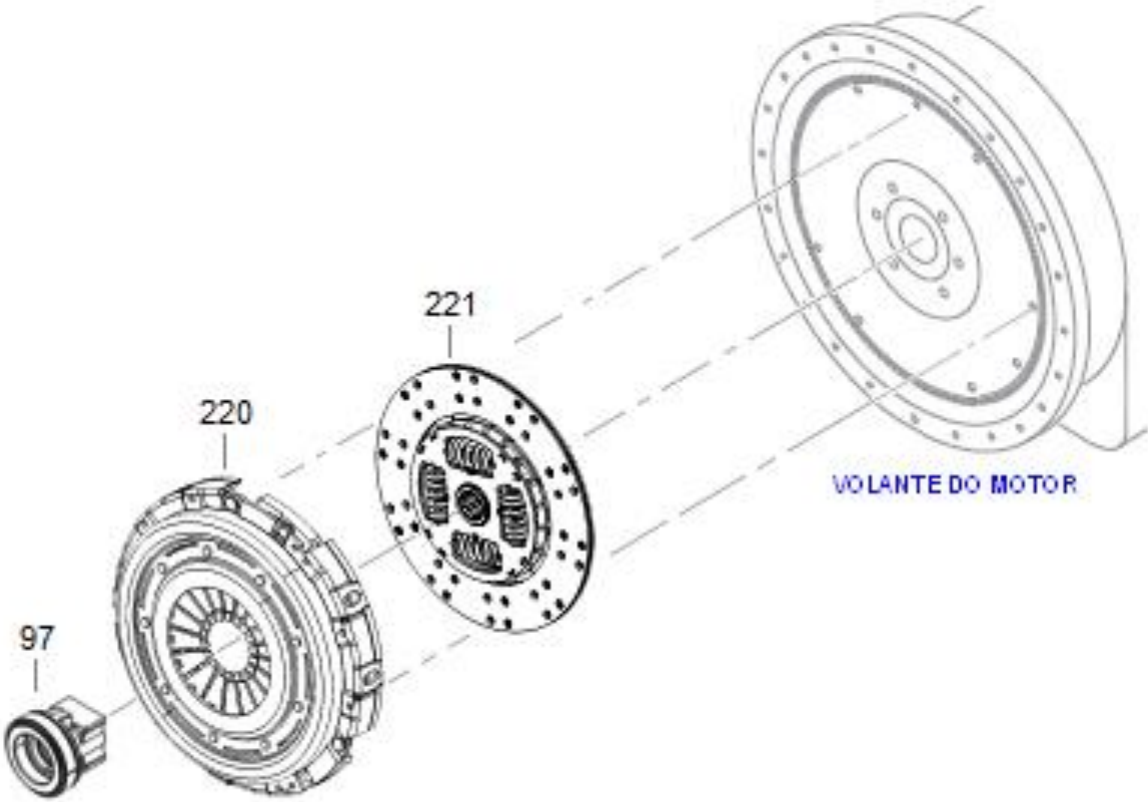
171 (v	3364115	1	3RD/4TH SYNCHRONIZER - ASSY
172	3363126	3	STRUT
173	3364294	1	3RD GEAR - MAINSHAFT
174	239653	2	BEARING
175	224024	2	SNAP RING
176	3364101	2	THRUST WASHER
177	3364023	1	2ND GEAR - MAINSHAFT
178	3341064	4	BEARING
179	3364051	2	SYNCHRONIZER RING
180	3364050	2	SYNCHRONIZER RING
181	3364047	2	SYNCHRONIZER RING
182	3364108	2	SNAP RING
183 (v	3364102	1	1ST/2ND SYNCHRONIZER - ASSY
184	3363126	3	STRUT
185	3364030	1	MAINSHAFT
186	3364109	1	1ST GEAR - MAINSHAFT
187	3364011	1	REVERSE GEAR - MAINSHAFT
188	3364111	1	REVERSE GEAR SLIDING SLEEVE - ASSY
189	3364280	1	BEARING CUP & CONE
190A (	3364039	1	SHIM PACK
190	3364179	1	SHIM - 0,200
190	3364180	1	SHIM - 0,300
190	3364181	1	SHIM - 0,400
190	3364182	1	SHIM - 0,500
190	3364183	1	SHIM - 0,600
190	3364184	1	SHIM - 0700
190	3364185	1	SHIM - 0,800
190	3364186	1	SHIM - 0,900
190	3364187	1	SHIM - 1,000
190	3364188	1	SHIM - 1,100
190	3364189	1	SHIM - 1,200
190	3364190	1	SHIM - 1,300
190	3364191	1	SHIM - 1,400
190	3364192	1	SHIM - 1,500
190	3364193	1	SHIM - 0,100
190	3364194	1	SHIM - 0,060
191	3364063	1	SPEEDO ROTOR

Group: COUNTERSHAFT AND REVERSE IDLER GEAR ASSY



ES06X06-6A

Picture 6A - Countershaft and Reverse Idler Gear Assy			
Item	N° Eaton/ Curr	Qtde/C	Description
200	3364279	2	BEARING CUP & CONE
201	3364004	1	DRIVE GEAR - COUNTERSHAFT
202	3364240	1	6TH GEAR - COUNTERSHAFT
203	3364002	1	4TH GEAR - COUNTERSHAFT
204	3364001	1	3RD GEAR - COUNTERSHAFT
205	3364234	1	COUNTERSHAFT
206A	3364040	1	SHIM PACK
206	3364195	1	SHIM - 0,200
206	3364196	1	SHIM - 0,300
206	3364197	1	SHIM - 0,400
206	3364198	1	SHIM - 0,500
206	3364199	1	SHIM - 0,600
206	3364200	1	SHIM - 0700
206	3364201	1	SHIM - 0,800
206	3364202	1	SHIM - 0,900
206	3364203	1	SHIM - 1,000
206	3364204	1	SHIM - 1,100
206	3364205	1	SHIM - 1,200
206	3364206	1	SHIM - 1,300
206	3364207	1	SHIM - 1,400
206	3364208	1	SHIM - 1,500
206	3364209	1	SHIM - 0,100
206	3364210	1	SHIM - 0,060
207	3364095	1	IDLER REVERSE GEAR
208	3364131	1	BEARING
209	3364096	1	IDLER SHAFT
210	3364074	1	O-RING





**Picture 7A - Clutch Assy**

Item	Nº Eaton/ Curr	Qtde/C	Description
97 (ve	125877	1	CLUTCH RELEASE BEARING 362 PUSH
220	164000BR	1	362MM COVER ASSEMBLY
221	1281056	1	DRIVEN DISC 362MM

**Observações / Notes :**

**Item 25 :** ( inclui item 26 / Includes item 26 ).

**Item 31 :** ( inclui item 32 / Includes item 32 ).

**Item 45 :** ( inclui item 46 / Includes item 46 ).

**Item 97 :** ( item vem instalado na transmissão / Item installed on the transmission ).

**Item 158 :** ( inclui item 159 / Includes item 159 ).

**Item 171 :** ( inclui item 172 / Includes item 172 ).

**Item 183 :** ( inclui item 184 / Includes item 184 ).

**Item 190A :** ( inclui itens 190 - usar quantidade necessária / includes items 190 - Quantity As Required ).

**Item 206A :** ( inclui itens 206 - usar quantidade necessária / includes items 206 - Quantity As Required ).